



towcell®



Your Solution To Testing Instrument



Straightpoint has developed a 25kN wireless loadcell specifically engineered to fit any standard tow-hitch to monitor tensile towing forces. This is specifically useful for carriageway clearance for emergency services, rescue and salvage and 4x4 events. Rugged, lightweight and compact the Towcell® slots onto any tow-hitch weather a standard 2" ball or pin assembly with ease and is ready to use in seconds.

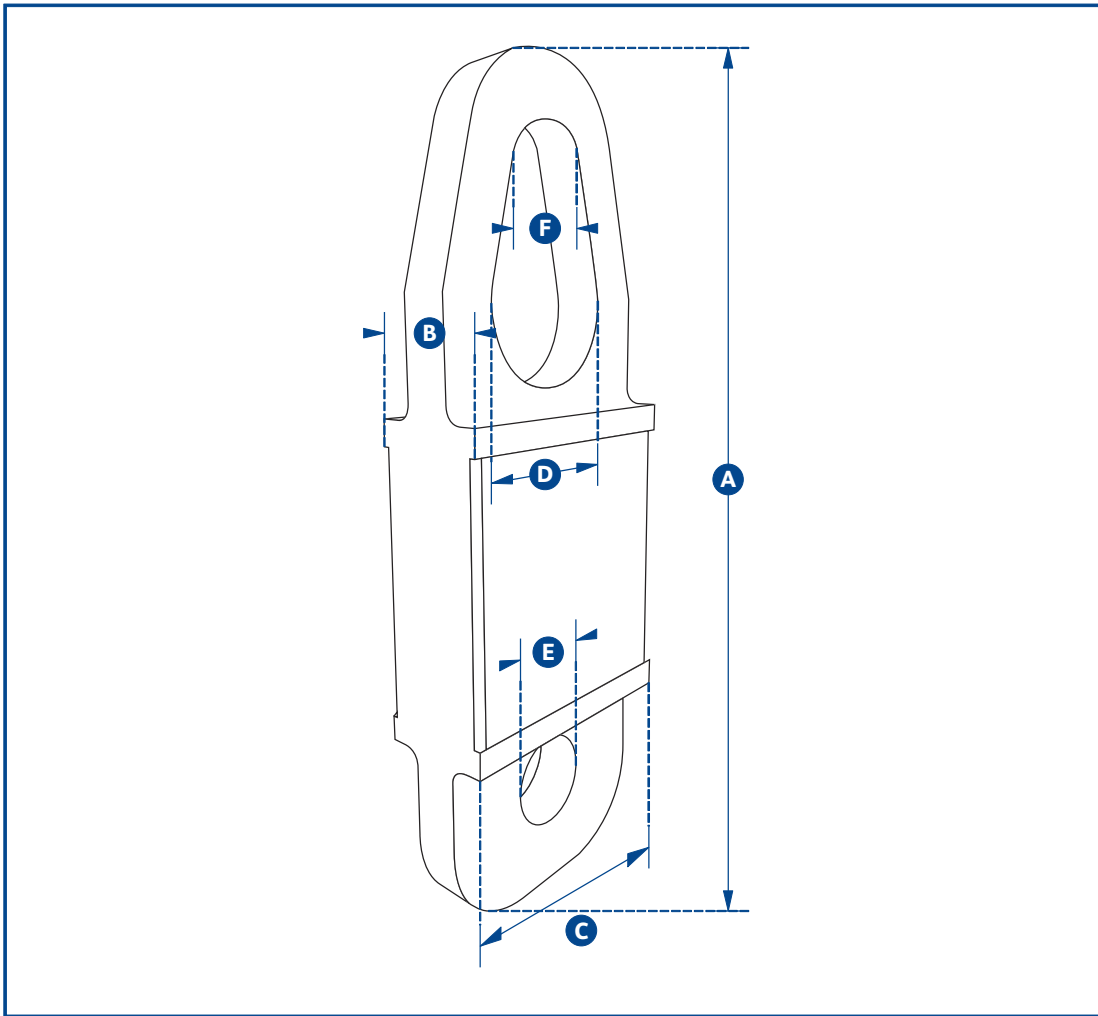
Modelled on their best-selling Radiolink plus the Towcell® is constructed with high quality aircraft grade aluminium and features an advanced internal design structure that provides the product with an unrivalled strength to weight ratio but also allows the use of a separate internal sealed enclosure providing the Towcell® electronic components with IP67/NEMA6 waterproof environmental protection even with the battery cover plate missing. Utilising easy to source AA alkaline batteries and offering a massive battery life of 1200 hours the Towcell® has no easily broken external antennae.

To view the towing loads they offer the rugged and versatile SW-HHP handheld display or if viewing and data logging towing loads via a Windows tablet use our SW-MWLC software package.

Features and benefits:

- Unique design to fit any tow-hitch
- Lightweight
- Audible overload alarm
- Unmatched battery life
- Waterproof
- Internal antennae
- Compact size
- Proprietary 2.4 GHz wireless communication

global specifications



towcell®

Global Specifications Part Number	Towcell
Capacity	25kN
Resolution	0.01kN
Weight	1.4kg / 3lbs
Safety Factor	5:1
Battery Type	4 x AA
Battery Life	1000Hrs continuous
Operating Temp	-10°C to +50°C / 14° to 122°F
Accuracy	+/- 0.5% of applied load
Frequency	2.4GHz
Range	100 metres / 328 feet
Data Rate	50Hz
Protection	IP67 / NEMA6
Dimension A	300mm / 11.81"
Dimension B	43mm / 1.70"
Dimension C	101mm / 4.00"
Dimension ØD	51mm / 2.00"
Dimension ØE	27mm / 1.06"
Dimension ØF	31mm / 1.22"



PROMAT (HK) Limited 寶時(香港)有限公司

901 New Trend Center, 704 Prince Edward Road East, SPK, Kln, HK

香港九龍新蒲崗太子道東704號新時代商業中心901室

TEL: (+852) 2661 2392

FAX: (+852) 2661 2086

Email: sales@promat.hk

http://www.promat.hk

